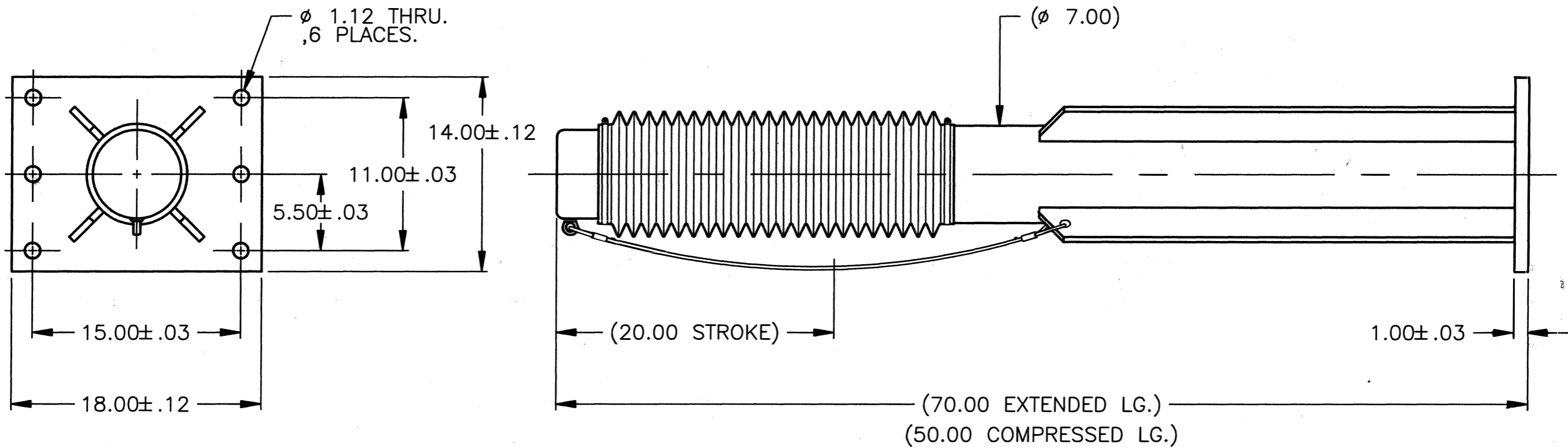


REVISIONS			
REV.	DESCRIPTION	DATE	APPROVED



UNLESS OTHERWISE SPECIFIED DIMENSIONS ARE IN INCHES. TOLERANCES, ANGLES $\pm 2^\circ$		PREPARED	K.VARNEY	96/4/1	taylor devices inc. NORTH TONAWANDA, N.Y. PHONE 716-694-0800 FAX 716-695-6015		
.XX	$\pm .01$	CHECKED					
.XXX	$\pm .002$	ENGINEER					
.XXXX	$\pm .0002$	APPROVED					
ALL SHARP CORNERS & EDGES TO BE R.01-.02 \surd MAX. ALL SURFACES		MATERIAL			7 X 20W CRANE BUFFER		
B/P COPY NO. _____ B/P SUBJECT TO RECALL: B/P & SUBJECT MATTER PROPERTY TAYLOR COMPANIES. REPRODUCTION B/P OR SUBJECT MATTER PROHIBITED.		STOCK SIZE					
PATENTS } Pending Applied For		Copyright 1956 Form 5E		SIZE	CAGE CODE	DRAWING NO.	REV.
INTERPRET DWG. DIMENSIONS PER ANSI Y14.5		SCALE		B	06742	67DP-15552-010-3	
		SHEET		1/8	1 OF 1		

BRUNING 78891 FORM # 6400