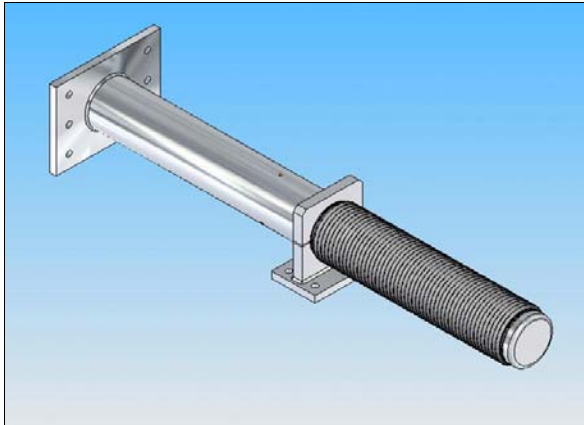
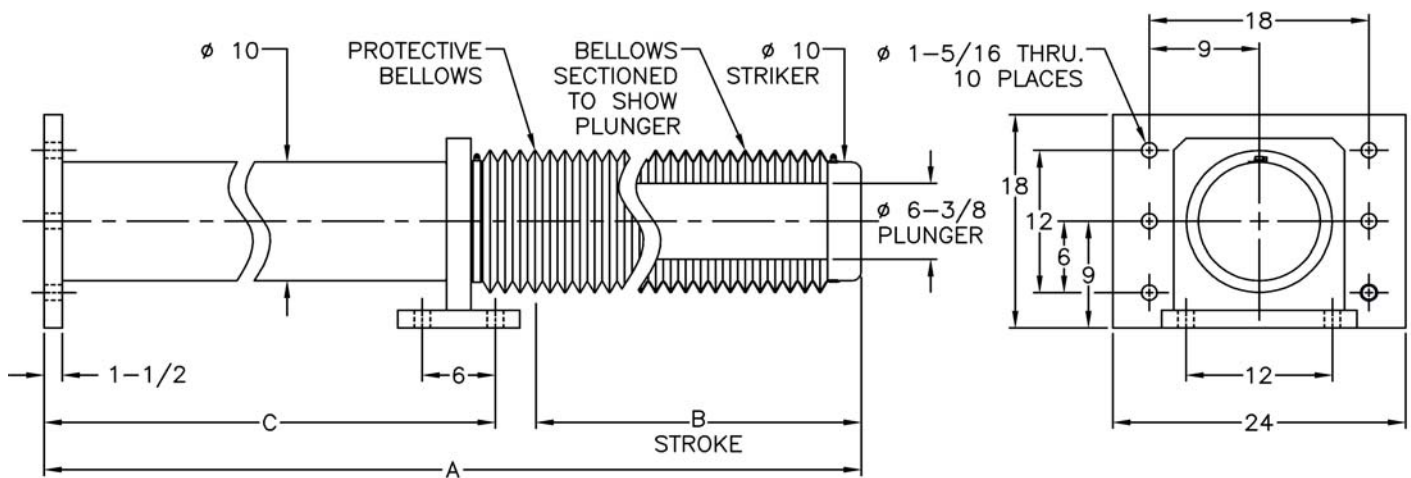


OB Series High Capacity Buffers



		A	B	C
Model Number	Weight (pounds)	Inches	Inches	Inches
7-1/2 x 22 O.B.	1,000	67	22	37
7-1/2 x 26 O.B.	1,100	78	26	44
7-1/2 x 30 O.B.	1,200	87	30	48
7-1/2 x 36 O.B.	1,400	99	36	55



Application / Design Features:

1. These compact buffers are designed for use on high capacity applications such as ore trolleys, car stops, gantry cranes, etc. The overall length of the OB Series Buffer is up to 4 feet less than competitive designs, allowing ease in mounting.
2. All OB Series Buffers include solid stainless steel piston rods, non-flammable fluid that never needs replacement. The exclusive Taylor Devices guided cartridge design with non-exposed piston rod provides superior resistance to bending loads caused by side loads on the striker surface.
3. All OB Series Buffers include protective bellows and full drive down capability for use of the buffer stroke as approach on cranes, cars and similar applications.
4. All models are rated for a peak shock force of 200,000 pounds.
5. Additional sizes available upon request.
6. All OB Series Buffers include back flange and front foot mounting. Consult factory for details.