



Specifications: Crane and Industrial Buffers

Ordering Notes:

- Mountings shown are standard. Optional mounts can be ordered such as: foot, front flange, etc.
- A.I.S.E. Crane specifications provide for crane buffers mounted on adjacent sides where bridges or trolleys come together. Please specify if this condition is applicable.
- Special sizes available to 60 in. stroke and 60 million in-lb. capacity. Consult factory for details.
- If you desire, Taylor engineers can recommend a Crane or Industrial Buffer for specific needs.

Industrial Applications –

Normal Required Information:

- Impacting weight and velocity
- Cyclic rate
- Drive forces
- Special ambient conditions (if any)

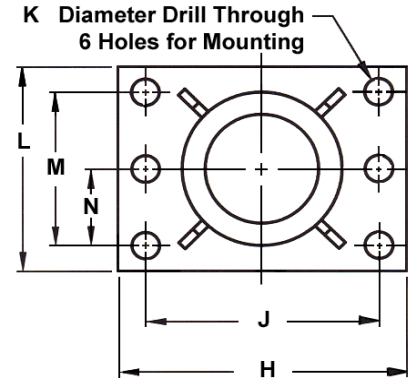
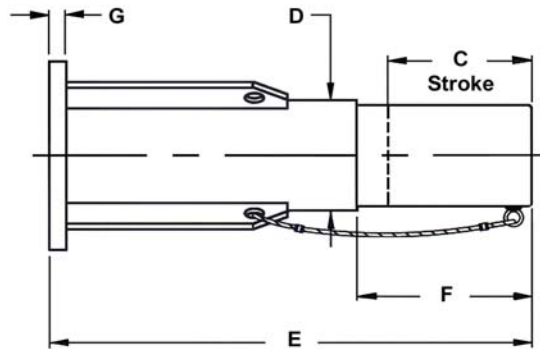
Crane Applications –

Normal Required Information:

- Bridge weight and velocity
- Trolley weight and velocity
- Special ambient conditions (if any)
- Other special requirements

A	B	C	D	E	F	G	H	J	K	L	M	N	P
Model No.	Capacity (in-lb.)	Stroke (in.)	Inches	Inches	Inches	Inches	Inches	Inches	Inches	Inches	Inches	Inches	Weight (lbs.)
2 Inch Series – Maximum Output Force up to 15,000 lbs.													
2 x 2	27,000	2	2-1/8	9-1/2	3-1/2	1/2	4	2-3/4	9/16	4	2-3/4	*	8
2 x 3	40,000	3	2-1/8	12-1/2	4-1/2	1/2	4	2-3/4	9/16	4	2-3/4	*	12
2 x 4	54,000	4	2-1/8	15-1/2	5-1/2	1/2	4	2-3/4	9/16	4	2-3/4	*	16
2-1/2 Inch Series – Maximum Output Force up to 22,000 lbs.													
2-1/2 x 2	40,000	2	2-1/2	10	4	1/2	5	3-1/2	13/16	5	3-1/2	*	14
2-1/2 x 3	60,000	3	2-1/2	13	5	1/2	5	3-1/2	13/16	5	3-1/2	*	17
2-1/2 x 4	80,000	4	2-1/2	16	6	1/2	5	3-1/2	13/16	5	3-1/2	*	22
3 Inch Series – Maximum Output Force up to 35,000 lbs.													
3 x 2	63,000	2	3	10-1/2	4-1/2	1/2	5	3-1/2	13/16	5	3-1/2	*	17
3 x 3	95,000	3	3	13-1/2	5-1/2	1/2	5	3-1/2	13/16	5	3-1/2	*	20
3 x 4	125,000	4	3	16-1/2	6-1/2	1/2	5	3-1/2	13/16	5	3-1/2	*	25
3 x 6	188,000	6	3	22-3/4	8-1/2	3/4	8	6	13/16	8	6	*	35
4 Inch Series – Maximum Output Force up to 50,000 lbs.													
4 x 2	90,000	2	4	11	4-1/4	3/4	6	4	13/16	6	4	*	25
4 x 3	135,000	3	4	14	5-1/4	3/4	6	4	13/16	6	4	*	29
4 x 4	180,000	4	4	17	6-1/4	3/4	6	4	13/16	6	4	*	33
4 x 6	270,000	6	4	23	8-1/4	3/4	12	9	13/16	10	7	3-1/2	66
4 x 8	360,000	8	4	29	10-1/4	3/4	12	9	13/16	10	7	3-1/2	75
4 x 10	450,000	10	4	35	12-1/4	3/4	12	9	13/16	10	7	3-1/2	90
5 Inch Series – Maximum Output Force up to 85,000 lbs.													
5 x 2	153,000	2	5	14	4-7/8	3/4	7-3/4	5-3/4	15/16	7-3/4	5-3/4	*	53
5 x 3	230,000	3	5	16	5-7/8	3/4	7-3/4	5-3/4	15/16	7-3/4	5-3/4	*	57
5 x 4	306,000	4	5	20	7	3/4	14	11	13/16	12	9-1/2	4-3/4	98
5 x 6	460,000	6	5	25	9	3/4	14	11	13/16	12	9-1/2	4-3/4	109
5 x 8	612,000	8	5	31	11	3/4	14	11	13/16	12	9-1/2	4-3/4	123
5 x 10	765,000	10	5	37	13	3/4	14	11	13/16	12	9-1/2	4-3/4	140
6 Inch Series – Maximum Output Force up to 165,000 lbs.													
6 x 2	297,000	2	6	15	5	1	9	7	15/16	9	7	*	83
6 x 3	446,000	3	6	17	6	1	9	7	15/16	9	7	*	88
6 x 4	594,000	4	6	20	7	1	14	11	13/16	12	9-1/2	4-3/4	135
6 x 6	890,000	6	6	27	9	1	14	11	13/16	12	9-1/2	4-3/4	160
6 x 8	1,188,000	8	6	33	11	1	14	11	13/16	12	9-1/2	4-3/4	180
6 x 10	1,485,000	10	6	39	13	1	14	11	13/16	12	9-1/2	4-3/4	210
6 x 12	1,782,000	12	6	45	15	1	14	11	13/16	12	9-1/2	4-3/4	225
6 x 14	2,079,000	14	6	51	17	1	14	11	13/16	12	9-1/2	4-3/4	250

Specifications: Crane and Industrial Buffers



A	B	C	D	E	F	G	H	J	K	L	M	N	P
Model No.	Capacity (in-lb.)	Stroke (in.)	Inches	Inches	Inches	Inches	Inches	Inches	Inches	Inches	Inches	Inches	Weight (lbs.)
7 Inch Series – Maximum Output Force up to 225,000 lbs.													
7 x 6	1,215,000	6	7	27	9	1	18	15	1-1/8	14	11	5-1/2	212
7 x 8	1,620,000	8	7	33	11	1	18	15	1-1/8	14	11	5-1/2	249
7 x 10	2,025,000	10	7	39	13	1	18	15	1-1/8	14	11	5-1/2	277
7 x 12	2,430,000	12	7	46	15	1	18	15	1-1/8	14	11	5-1/2	315
7 x 16	3,240,000	16	7	58	19	1	18	15	1-1/8	14	11	5-1/2	381
7 Inch O.B. Series – Maximum Output Force up to 200,000 lbs.													
7 x 22 O.B.	3,960,000	22	10	67	24	1-1/2	24	18	1-5/16	18	12	6	1000
7 x 26 O.B.	4,680,000	26	10	78	28	1-1/2	24	18	1-5/16	18	12	6	1100
7 x 30 O.B.	5,400,000	30	10	87	32	1-1/2	24	18	1-5/16	18	12	6	1200
7 x 36 O.B.	6,480,000	36	10	99	38	1-1/2	24	18	1-5/16	18	12	6	1400
8-1/2 Inch Series – Maximum Output Force up to 400,000 lbs.													
8-1/2 x 6	2,160,000	6	8-1/2	31	9	1-1/2	24	18	1-5/8	18	12	6	465
8-1/2 x 8	2,880,000	8	8-1/2	38	11	1-1/2	24	18	1-5/8	18	12	6	530
8-1/2 x 10	3,600,000	10	8-1/2	45	13	1-1/2	24	18	1-5/8	18	12	6	600
8-1/2 x 12	4,320,000	12	8-1/2	52	15	1-1/2	24	18	1-5/8	18	12	6	670
8-1/2 x 16	5,760,000	16	8-1/2	66	19	1-1/2	24	18	1-5/8	18	12	6	800
10 Inch Series – Maximum Output Force up to 550,000 lbs.													
10 x 10	4,950,000	10	10	50	14	2	24	18	1-5/8	20	16	8	900
10 x 12	5,940,000	12	10	56	16	2	24	18	1-5/8	20	16	8	980
10 x 14	6,930,000	14	10	62	18	2	24	18	1-5/8	20	16	8	1060
10 x 16	7,920,000	16	10	68	20	2	24	18	1-5/8	20	16	8	1140
10 x 18	8,910,000	18	10	74	22	2	24	18	1-5/8	20	16	8	1200
10 x 20	9,900,000	20	10	80	24	2	24	18	1-5/8	20	16	8	1300
10 x 22	10,890,000	22	10	85	26	2	24	18	1-5/8	20	16	8	1400
12 Inch Series – Maximum Output Force up to 700,000 lbs.													
12 x 10	6,300,000	10	12	54	14	2-1/4	28	22	1-7/8	24	19	9-1/2	1450
12 x 12	7,560,000	12	12	60	16	2-1/4	28	22	1-7/8	24	19	9-1/2	1500
12 x 14	8,820,000	14	12	66	18	2-1/4	28	22	1-7/8	24	19	9-1/2	1600
12 x 16	10,080,000	16	12	72	20	2-1/4	28	22	1-7/8	24	19	9-1/2	1700
12 x 18	11,340,000	18	12	78	22	2-1/4	28	22	1-7/8	24	19	9-1/2	1850
12 x 20	12,600,000	20	12	84	24	2-1/4	28	22	1-7/8	24	19	9-1/2	1950
12 x 22	13,860,000	22	12	92	26	2-1/4	28	22	1-7/8	24	19	9-1/2	2050

Design Features:

1. Safety cables and lifting lugs are standard on all Taylor Crane Buffers; they are a delete option for industrial applications.
2. Asterisk (*) denotes four bolt mounting only. Buffers with four bolt mounting do not include sleeve gussets with the exception of Model 3 x 6.
3. Protective rubber bellows are standard on all buffers larger than Model 6 x 10, along with certain other small buffers. Consult factory for details.
4. All 7 inch O.B. Series include back flange and front foot mounting without gussets. Consult factory for details.