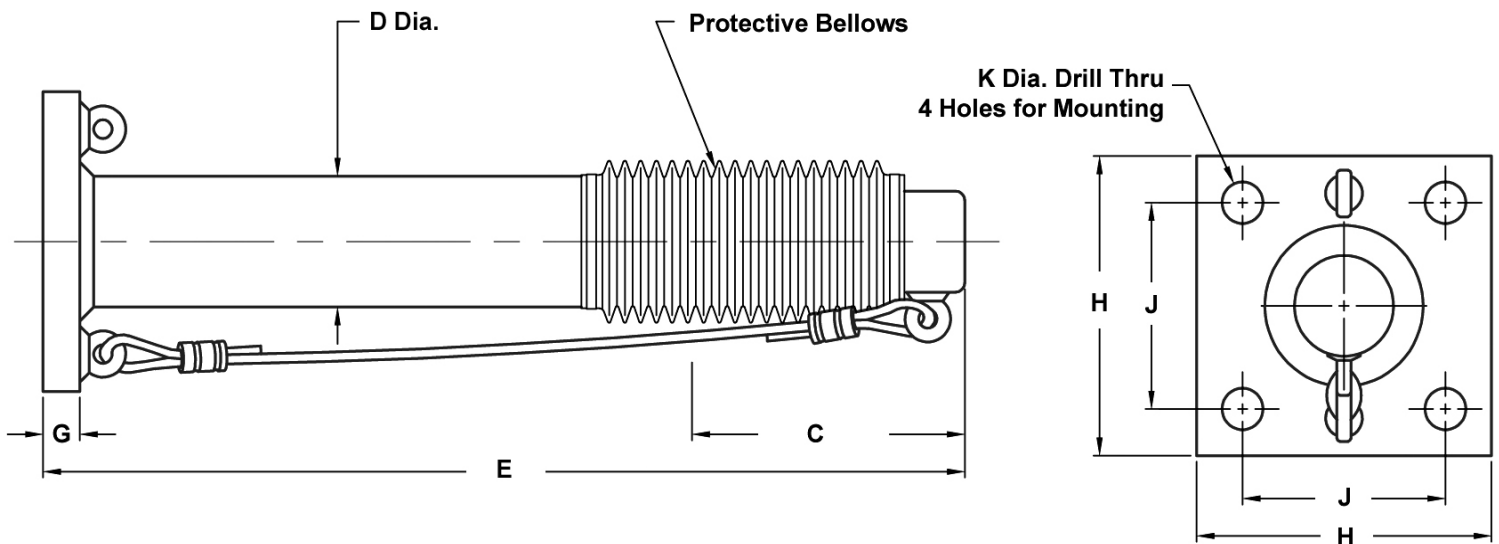


W-Series Self-Adjusting W-I-D-E Range Crane and Mill Buffers



A	B	C	D	E	F	G	H	J	K	
Model	Mounting Strength Required (lbs.)	Stroke (in.)	Inches	Inches	Inches	Inches	Inches	Inches	Inches	Weight (lbs.)
1-1/2 x 3 W	9,000	3	1-7/8	12-1/2	4-3/16	1/2	4	2-3/4	9/16	10
2 x 3 W	15,000	3	2-1/8	12-1/2	4-1/2	1/2	4	2-3/4	9/16	12
2-1/2 x 3 W	22,000	3	2-1/2	13	5	1/2	5	3-1/2	13/16	15

1. External dimensions are as shown for all W-Series and WM-Series Crane Buffers.
2. All buffers include full drive down package for use of buffer stroke as crane approach.
3. All buffers are rated for -40 degrees F to +160 degrees F continuous duty.
4. Protective rubber bellows also available as an option for foundry or melt shop service, or where severe dirt or ice is present.
5. Wire rope safety cables are included on all sizes to meet OSHA requirements for overhead cranes. This feature may be omitted by request.
6. No maintenance, refilling, or adjusting required. The buffer will automatically adjust itself to absorb any impact within its capacity diagram.
7. Solid stainless steel piston rod, hard chrome plated cylinder, and painted mounting standard on all models. All models have one piece cylinders, machined from billet stock.